

Stainless Steel Globe Valve for Cryogenic Service 210 Series



Features

- **Top Entry:** This valve can be permanently installed in the line and serviced from the top
- **Soft Seated:** PCTFE Seat provides a bubble tight seal and is replaceable
- **Construction:** Body and Bonnet ASTM A351 J92600 Stainless steel
- **Sizes:** ½" - 4" (15mm - 100mm)
- **Ends:** RF Flange, Butt weld, Socket weld, Threaded (FNPT)
- **Service:** Liquefied and vaporized atmospheric gases, LNG
- **100% Factory Tested**
- **Clean for use in oxygen** per CGA G-4.1
- **Temperature Rating:** -320°F - 150°F (-196°C +65°C)
- **Pressure Rating:** (Cold, Non-shock)
Class 150 valve - 275 psig (19 barg)
Class 300 valve - 720 psig (50 barg)

½" - 4" Class 150
PED Approved
½" - 4" Class 300
PED Approved



210 Series

Our investment cast stainless steel is specified by leading industrial gas companies for storage tank and yard operations. Special order bonnet extensions are available for cold box applications. Valves for hydrogen use can be supplied

Ordering Information

Stainless Body • RF Flange Ends

150# Part Number	300# Part Number	Valve Size		Ends	150# Weight		300# Weight		Estimated C _v
		Inches	MM		Lbs.	Kg.	Lbs.	Kg.	
GS-00210W-8F	GS-00210W-8F3	1"	25 mm	Flange	15	6.80	20	9.07	11.50
GS-00210W-16F	GS-00210W-16F3	2"	50 mm		35	15.88	40	18.14	40.00
GS-00210W-24F	GS-00210W-24F3	3"	80 mm		65	29.48	70	31.75	60.00
GS-00210W-32F	GS-00210W-32F3	4"	100 mm		95	43.09	100	45.35	175

150# ANSI Class (275 psig Cold Working Pressure)

300# ANSI Class (720 psig Cold Working Pressure)

Stainless Body • Butt Weld, Socket Weld, Threaded Ends

150# Part Number	300# Part Number	Valve Size		Ends	Weight		Estimated C _v
		Inches	MM		Lbs.	Kg.	
GS-00210W-4S3	GS-00210W-4S3	½"	15 mm	Socket Weld	15	6.80	3.90
GS-00210W-4T3	GS-00210W-4T3	½"	15 mm	Threaded	15	6.80	3.90
GS-00210W-6S3	GS-00210W-6S3	¾"	20 mm	Socket Weld	15	6.80	7.10
GS-00210W-6T3	GS-00210W-6T3	¾"	20 mm	Threaded	15	6.80	7.10
GS-00210W-8S3	GS-00210W-8S3	1"	25 mm	Socket Weld	15	6.80	11.50
GS-00210W-8T3	GS-00210W-8T3	1"	25 mm	Threaded	15	6.80	11.50
GS-00210W-12S3	GS-00210W-12S3	1½"	40 mm	Socket Weld	25	11.34	29.00
GS-00210W-16W3A	GS-00210W-16W3A	2"	50 mm	Butt Weld SCH10	35	15.88	40.00
GS-00210W-16W3J	GS-00210W-16W3J	2"	50 mm	Butt Weld SCH40	35	15.88	40.00
GS-00210W-24W3A	GS-00210W-24W3A	3"	80 mm	Butt Weld SCH10	55	24.95	60.00
GS-00210W-24W3J	GS-00210W-24W3J	3"	80 mm	Butt Weld SCH40	55	24.95	60.00
GS-00210W-32W3A	GS-00210W-32W3A	4"	100 mm	Butt Weld SCH10	80	36.29	175.00
GS-00210W-32W3J	GS-00210W-32W3J	4"	100 mm	Butt Weld SCH40	80	36.29	175.00
LOX00210W-24W3A**	LOX00210W-24W3A**	3"	80 mm	Butt Weld SCH10	55	24.95	60.00
LOX00210W-32W3A**	LOX00210W-32W3A**	4"	100 mm	Butt Weld SCH10	80	36.29	175.00

* Second number indicates valve for 300# part number.

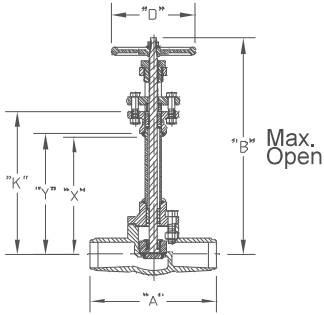
** LOX valves specifically for Liquid Oxygen Service, for more information on LOX valves see page 62

150# ANSI Class (275 psig Cold Working Pressure)

300# ANSI Class (720 psig Cold Working Pressure)

Stainless Steel Globe Valve for Cryogenic Service

210 Series



Butt Weld Ends

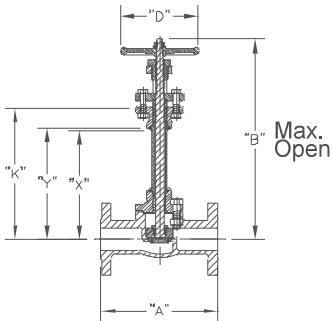
Size	"A"	"B"	"D"	"K"	"X"	"Y"
2"	10½"	22¼"	7"	15"	12¾"	13 ¹ / ₁₆ "
3"	12"	30½"	10"	21½"	19 ¹ / ₁₆ "	19 ³ / ₈ "
4"	13½"	36¾"	12"	24¼"	21 ¹¹ / ₁₆ "	22"

Δ For SCH. 40 A=12½"

Θ For SCH. 40 A=14"

* Unless otherwise specified, SCH 10 weld ends are supplied

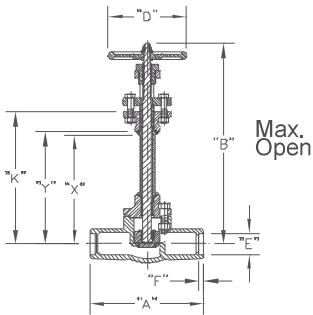
• Special B,K,X & Y dimensions available.



Raised Face Flange Ends*

Size	"A" 150#	"A" 300#	"B"	"D"	"K"	"X"	"Y"
1"	6½"	8"	18 ¹ / ₈ "	5"	12¾"	11 ¹ / ₁₆ "	11 ³ / ₈ "
2"	8"	10½"	22¼"	7"	15"	12¾"	13 ¹ / ₁₆ "
3"	9½"	12½"	30½"	10"	21½"	19 ¹ / ₁₆ "	19 ³ / ₈ "
4"	11½"	14"	36¾"	12"	24¼"	21 ¹¹ / ₁₆ "	22"

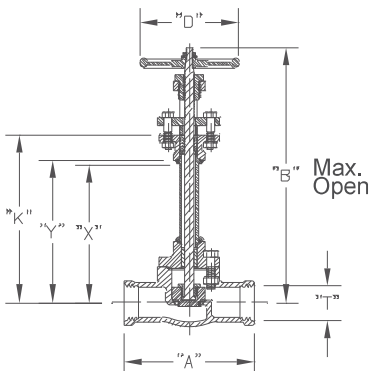
• Special B,K,X & Y dimensions available.



Socket Weld Ends

Size	"A"	"B"	"D"	"E"	"F"	"K"	"X"	"Y"
½"	5"	18 ¹ / ₈ "	5"	.855	¾"	12¾"	11 ¹ / ₁₆ "	11 ³ / ₈ "
¾"				1.065	½"			
1"				1.330	½"			
1½"	10¼"	22¼"	7"	1.915	½"	15"	12¾"	13 ¹ / ₁₆ "

• Special B,K,X & Y dimensions available.



Threaded Ends

Size	"T" - NPT	"A"	"B"	"D"	"K"	"X"	"Y"
½"	½"-14	5"	18 ¹ / ₈ "	5"	12¾"	11 ¹ / ₁₆ "	11 ³ / ₈ "
¾"	¾"-14						
1"	1"-11½"	5¾"					

• Special B,K,X & Y dimensions available.