

Diaphragm Type Globe Valves

2500 Series

Application

The 2500 series valves are designed for use in hospital and industrial piping systems where gases are supplied from a central source to branch outlets throughout the system.

Features

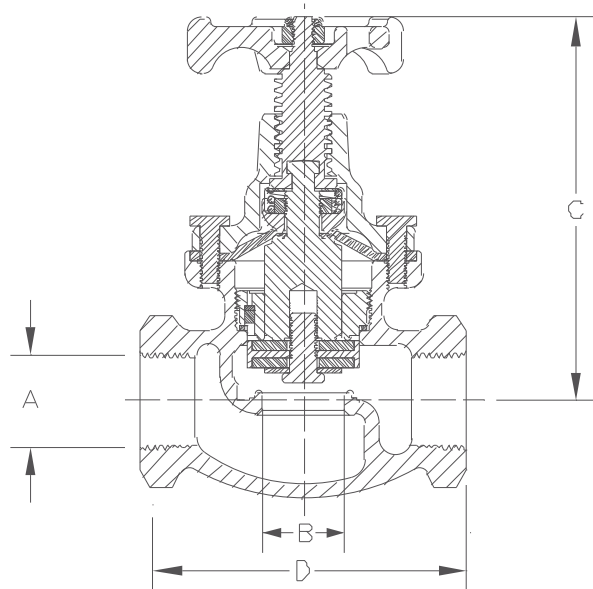
- UL listed for use with air, argon, acetylene, helium, hydrogen, LP-Gas, nitrogen, inert gases and oxygen service.
- Leakage is prevented by a dependable diaphragm stem seal.
- A resilient seat disc provides positive shut-off.
- Heavy duty ACME stem threads assure easy operation and long working life.
- Unique back seat design enabling the diaphragm assembly to be repaired while the valve remains in service.
- Maximum working pressure is 400 psig (27.5 barg).
- Working temperature range is -40°F to +165°F (-40°C to +74°C).
- 100% Factory Tested
- All valves clean for use in oxygen per CGA G-4.1

Materials

Body 2507AC, 2511AC & 2513AC Cast Bronze, Tin Plated
 Body 2505AC Cast Red Brass, Tin Plated
 Bonnet Brass
 Stem Manganese Bronze
 Seat Disc Neoprene
 Diaphragm Neoprene



2505AC



Ordering Information

Part Number	Inlet/Outlet Thread (Female NPT) A	Port Diameter B	Height C	Length D	C _v Factor
2505AC	3/4"	15/16"	5 1/4"	4"	9.0
2507AC	1"	1 1/8"	5 3/8"	4 3/8"	15.0
2511AC	1 1/2"	1 11/16"	6 3/4"	5 3/8"	33.4
2513AC	2"	2 5/16"	7 1/8"	6 1/4"	51.7

Diaphragm Type Globe Valves 2550 Series

Application

The 2550 series valves are designed for use in hospital and industrial piping systems where gases are supplied from a central source to branch outlets throughout the system.

Features

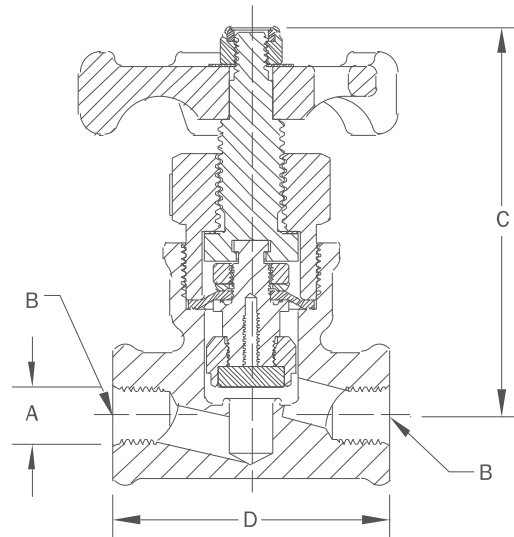
- UL listed for use with acetylene, hydrogen, nitrogen, oxygen service and compressed air.
- Leakage is prevented by a dependable diaphragm stem seal.
- A resilient seat disc provides positive shut-off.
- Heavy duty ACME stem threads assure easy operation and long working life.
- Maximum working pressure is 250 psig (17.2 barg).
- Working temperature range is -40°F to +165°F (-40°C to +74°C).
- 100% Factory Tested
- All valves clean for use in oxygen per CGA G-4.1

Materials

Body (2554 series) Cast Red Brass, Tin Plated
 Seat Disc Filled Teflon
 Diaphragm Neoprene
 Bonnet Brass
 Stem Manganese Bronze
 Handwheel Aluminum



2554AC



Ordering Information

Part Number	Inlet/Outlet Thread (Female NPT) A	Port Diameter B	Height C	Length D	Cv Factor
2554AC	1/2"	2 1/32"	3 3/8"	3 1/8"	4.3
2554AAC	3/4"				