

# Stainless Steel Globe Valves for Cryogenic Service

## SK Advantage Series Long Stem

### Application

The SK Advantage Series of Stainless Steel Globe Valves are designed for handling cryogenic liquids through trailer, bulk vessels and piping configurations. Ideal service medium includes oxygen, nitrogen, krypton, carbon dioxide, dinitrogen monoxide, carbon dioxide, methane, ethane, ethylene, argon and LNG. Our Kold-Seal stem seal technology assures a tight seal preventing cryogen gas loss. The conical seat design allows exceptional flow, positive shutoff and less chance of debris accumulation in the flow path, all resulting in an overall longer service life. Maintenance on the packing and seat is quick and easy.

### Features

- **Soft Seat:** PCTFE material which is the most widely specified cryogenic seat material in the industry.
- **Construction:** Bolted bonnet allows easy access to the valve internals for servicing.
- **Stem Packing:** Proven Kold-Seal technology, Live Loaded PTFE.
- **Sizes:** ¼" through 2"
- **Connection:** Socket weld and butt weld.
- **Service:** Liquefied and vaporized atmospheric gases, LNG.
- **Temperature Rating:** -320°F to +150°F (-198°C to +65°C).
- **Pressure Rating:** Cold, Non-Shock, 725 psig (50 barg) Class 300 (PN 50).
- Cleaned and packaged for oxygen service per CGA G-4.1.
- **Application:** Multiple stem lengths available for selected service.
- **Packaging:** Each valve is individually bagged and boxed to arrive in factory new condition until installation.

### Materials

Body ..... Stainless Steel ASTM A351 CF8  
 Bonnet and Tube .. Stainless Steel ASTM A351 CF8/ASTM A479 type 304  
 Stem ..... Stainless Steel ASTM A582 S30300  
 Spring.....Stainless Steel ASTM A313 S30200  
 Packing..... Live Loaded PTFE Packing  
 Gasket.....PTFE 25% Glass Fill  
 Seat Disc.....PCTFE ASTM D1430  
 Seat Retainer.....Brass ASTM B16  
 Bonnet Screws.....ASTM B16 C36000  
 Handwheel..... Painted Aluminum

### Quality / Facility Features

- Material traceability in accordance with BS EN 10204 3.1
- CE Marking per European Pressure Equipment Directive

TPED & PED Certified



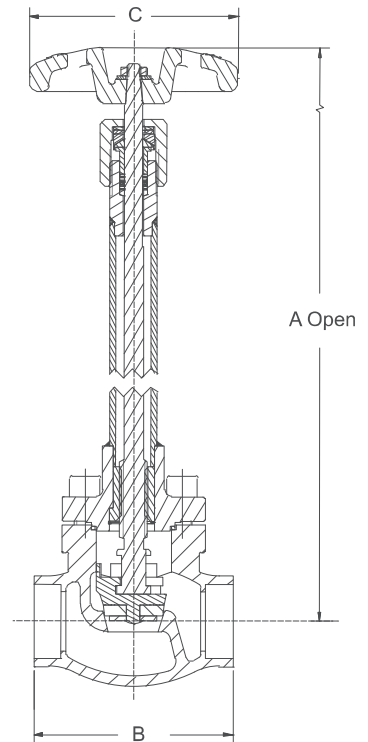
### Ordering Information

Part Number	Size (Inches)	Size dn	Connection	A (Inches)	A (mm)	B (Inches)	B (mm)	C (Inches)	C (mm)	Cv	Kv	Weight lbs	Weight kg						
SKL9402SW	¼"	8	Socket Weld	14.6	370	2.7	68	4	102	1.7	1.47	3.76	1.70						
SKL9404SW	½"	15								5	4.30	3.47	1.68						
SKL9406SW	¾"	20								9.4	8.10	5.17	2.34						
SKL9408SW	1"	25				14	12.10			5.34	2.42								
SKL9412SW	1½"	40				28.3	21.6			9.48	4.30								
SKL9416SW	2"	50	Butt Weld	13.6	345	5.7	146	5	127	53	45.8	16.3	7.39						
SKL9402BW	¼"	8								14.6	370	2.7	68	4	102	1.7	1.47	3.76	1.70
SKL9404BW	½"	15														5	4.30	3.47	1.68
SKL9406BW	¾"	20				9.4	8.10									5.17	2.34		
SKL9408BW	1"	25				14	12.10					5.34	2.42						
SKL9412BW	1½"	40	28.3	21.60	9.48	4.30													
SKL9416BW	2"	50	53	45.80	16.3	7.39													

SW = Socket Weld; BW = Butt Weld



SK Advantage



# Stainless Steel Globe Valves for Cryogenic Service

## SK Advantage Series Medium Stem



### Application

The SK Advantage Series of Stainless Steel Globe Valves are designed for handling cryogenic liquids through trailer, bulk vessels and piping configurations. Ideal service medium includes oxygen, nitrogen, krypton, carbon dioxide, dinitrogen monoxide, carbon oxide, methane, ethane, ethylene, argon and LNG. Our Kold-Seal stem seal technology assures a tight seal preventing cryogen gas loss. The conical seat design allows exceptional flow, positive shutoff and less chance of debris accumulation in the flow path, all resulting in an overall longer service life. Maintenance on the packing and seat is quick and easy.

### Features

- **Soft Seat:** PTFE material which is the most widely specified cryogenic seat material in the industry.
  - **Construction:** Bolted bonnet allows easy access to the valve internals for servicing.
  - **Stem Packing:** Proven Kold-Seal technology, Live Loaded PTFE.
  - **Sizes:** 1/4" through 2"
  - **Connection:** Socket weld and butt weld.
  - **Service:** Liquefied and vaporized atmospheric gases, LNG.
  - **Temperature Rating:** -325°F to +150°F (-198°C to +65°C).
  - **Pressure Rating:** Cold, Non-Shock, 725 psig (50 barg) Class 300 (PN 50).
- Cleaned and packaged for oxygen service per CGA G-4.1.
  - **Application:** Multiple stem lengths available for selected service.
  - **Packaging:** Each valve is individually bagged and boxed to arrive in factory new condition until installation.

### Materials

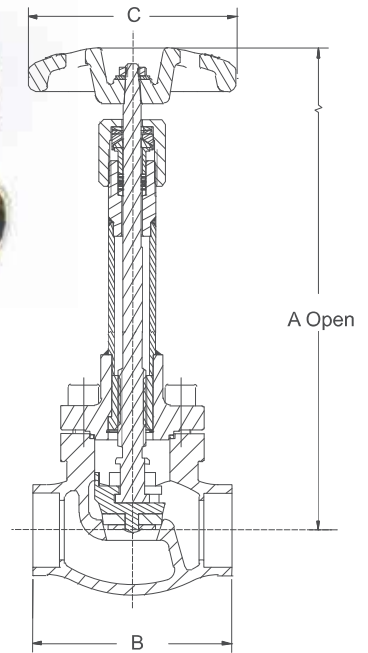
Body ..... Stainless Steel ASTM A351 CF8  
 Bonnet and Tube .. Stainless Steel ASTM A351 CF8/ASTM A479 type 304  
 Stem .....Stainless Steel ASTM A582 S30300  
 Spring .....Stainless Steel ASTM A313 S30200  
 Packing..... Live Loaded PTFE Packing  
 Gasket.....PTFE 25% Glass Fill  
 Seat Disc.....PTFE ASTM D1430  
 Seat Retainer.....Brass ASTM B16  
 Bonnet Screws .....ASTM B16 C36000  
 Handwheel..... Painted Aluminum

### Quality / Facility Features

- Material traceability in accordance with BS EN 10204 3.1
- CE Marking per European Pressure Equipment Directive



SKM9406BW



TPED & PED Certified  

### Ordering Information

Part Number	Size (Inches)	Size dn	Connection	A (Inches)	A (mm)	B (Inches)	B (mm)	C (Inches)	C (mm)	Cv	Kv	Weight lbs	Weight kg		
SKM9402SW	1/4"	8	Socket Weld	10.6	270	2.7	68	4	102	1.7	1.47	3.31	1.50		
SKM9404SW	1/2"	15								5	4.30	3.29	1.48		
SKM9406SW	3/4"	20								9.4	8.10	4.86	2.20		
SKM9408SW	1"	25				14	12.10			5.02	2.27				
SKM9412SW	1 1/2"	40				4.7	121			5	127	28.3	21.60	8.92	4.04
SKM9416SW	2"	50				5.7	146					53	45.80	15.30	6.94
SKM9402BW	1/4"	8	Butt Weld	10.6	270	2.7	68	4	102			1.7	1.47	3.31	1.50
SKM9404BW	1/2"	15								5	4.30	3.29	1.48		
SKM9406BW	3/4"	20								9.4	8.10	4.86	2.20		
SKM9408BW	1"	25				14	12.10			5.02	2.27				
SKM9412BW	1 1/2"	40				4.7	121			5	127	28.3	21.60	8.92	4.04
SKM9416BW	2"	50				5.7	146					53	45.80	15.30	6.94

SW = Socket Weld; BW = Butt Weld

# Stainless Steel Globe Valves for Cryogenic Service

## SK Advantage Series Short Stem

### Application

The SKS Series globe valves short stem are designed for handling of cryogenic liquids through bulk tanks, trucks, trailers, ISO-containers and piping configurations. Our time tested spring loaded stem packing and superior seat design provide for long life and easy maintenance.

### Features

- Superior Flow: Provides high Cv for rapid and reliable loading and unloading.
- Designed with the unique Kold-Seal™.
- Conical PCTFE Seat: provides exceptional flow; bubble tight seal; less chance of debris trapped in the seat and longer service life.
- Connections: Socket Weld & Butt Weld.
- Sizes: 1/4" to 1-1/2".
- Bonnet Type: Bolted.
- Pressure Rating: 720 psig (50 barg)
- Temperature Rating: -320°F (-196°C) to +150°F (+65°C).
- Service: Liquefied & Vaporized Atmospheric Gases and LNG for Trailers, Bulk Tanks, Iso-Containers and Piping Configurations.
- Cleaned for Oxygen Service per CGA G-4.1

### Materials

Body ..... Stainless Steel ASTM A351 CF8  
 Bonnet and Tube .. Stainless Steel ASTM A351 CF8/ASTM A479 type 304  
 Stem .....Stainless Steel ASTM A582 S30300  
 Spring .....Stainless Steel ASTM A313 S30200  
 Packing..... Live Loaded PTFE Packing  
 Gasket ..... PTFE 25% Glass Fill  
 Seat Disc.....PCTFE ASTM D1430  
 Seat Retainer.....Brass ASTM B16  
 Bonnet Screws .....ASTM B16 C36000  
 Handwheel..... Painted Aluminum

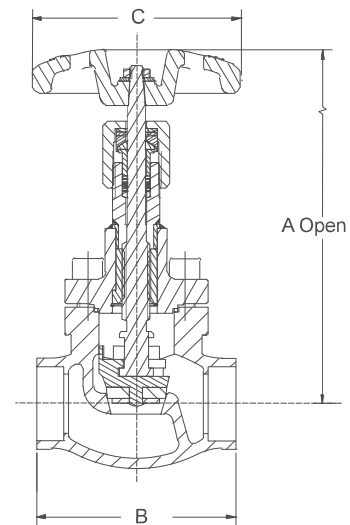
### Quality / Facility Features

- Material traceability in accordance with BS EN 10204 3.1
- CE Marking per European Pressure Equipment Directive

PED Certified



SKS9406BW



### Ordering Information

Part Number	Size Inches	Size mm	Connection	A (Inches)	A (mm)	B (Inches)	B (mm)	C (Inches)	C (mm)	Cv	Kv	Weight lbs	Weight kg
SKS9402SW	1/4"	8	Socket Weld	6.7	170	2.7	68	4	102	1.7	1.47	2.64	1.20
SKS9404SW	1/2"	15								5	4.30	2.62	1.19
SKS9406SW	3/4"	20				9.4	8.10			4.21	1.91		
SKS9408SW	1"	25				14	12.10			4.10	1.86		
SKS9412SW	1 1/2"	40				7.0	178			4.7	120	5	127
SKS9402BW	1/4"	8	Butt Weld	6.7	170	2.7	68	4	102	1.7	1.47	2.64	1.20
SKS9404BW	1/2"	15								5	4.30	2.62	1.19
SKS9406BW	3/4"	20				9.4	8.10			4.21	1.91		
SKS9408BW	1"	25				14	12.10			4.10	1.86		
SKS9412BW	1 1/2"	40				7.0	178			4.7	120	5	127

# Stainless Steel Angle Globe Valves for Cryogenic Service

## SKA Advantage Series



### Application

RegO/Goddard stainless steel angle globe valves are designed for handling cryogenic liquids. Designed for fill manifolds applications of bulk tanks, RegO Kold-Seal™ stem seal technology assures a tight seal preventing gas loss. The conical seat design allows exceptional flow, positive shut off and less chance of debris accumulation in the flow path—resulting in an overall longer service life. Maintenance on the packing and seat is quick and easy. Ideal service medium includes oxygen, nitrogen, argon, carbon dioxide, nitrous oxide, methane, ethane, ethylene, krypton, and LNG.

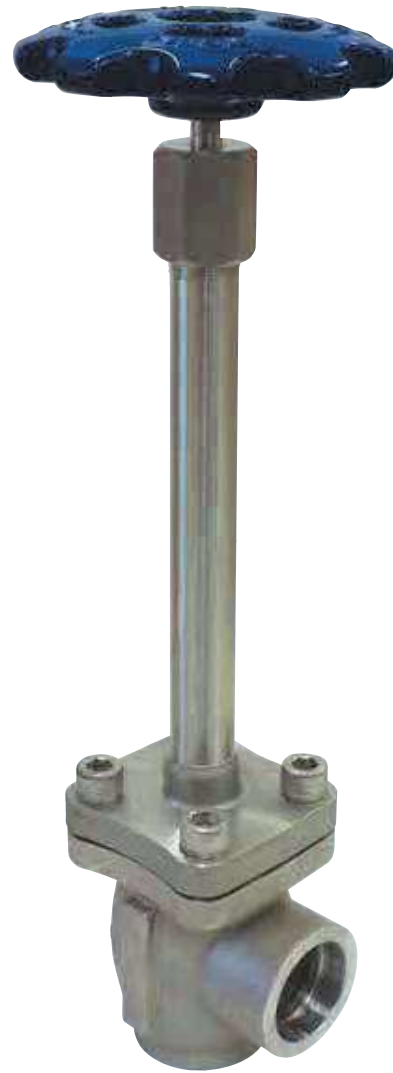
### Features

- Sizes: 1" through 1½"
- Connection: Socket Weld.
- Service: Liquefied and vaporized atmospheric gases, LNG.
- Temperature rating: -320°F to +150°F (-196°C to +65°C).
- Pressure rating: Cold, Non-Shock, 720 psig (50 barg) Class 300 (PN 50).
- Cleaned and packaged for oxygen service per CGA G-4.1.
- Soft Seat: PCTFE material which is the most widely specified cryogenic seat material in the industry.
- Stem Packing: Proven Kold-Seal technology, live loaded PTFE.
- Conical seat, provides more Cv.
- Seat assembly without nut and washer. No loose materials from vibration. Less chance of failure.
- Pressure relief system of the bonnet increases life of packing system.
- Ergonomics handwheels for ease of use.
- 100% factory tested. Each valve is individually bagged and boxed to arrive in factory new condition until installation.

### Materials

Body ..... Stainless Steel ASTM A351 CF8  
 Bonnet and Tube .... Stainless Steel ASTM A351 CF8/ASTM A479 type 304  
 Stem ..... Stainless Steel ASTM A582 S30300  
 Spring ..... Stainless Steel ASTM A313 S30200  
 Packing ..... Live Loaded PTFE Packing  
 Gasket ..... PTFE 25% Glass Fill  
 Seat Disc ..... PCTFE ASTM D1430  
 Seat Retainer ..... Brass ASTM B16  
 Bonnet Screws ..... ASTM B16 C36000  
 Handwheel ..... Painted Aluminum

PED Certified



### Ordering Information

Part Number	Size Inches	Size dn	Connection	A (Inches)	A (mm)	B (Inches)	B (mm)	C (Inches)	C (mm)	Weight lbs	Weight kg
SKA9408LSW	1"	25	Socket Weld	14.6	370	1.33	33.78	4	102	5.41	2.45
SKA9412LSW	1½"	40				1.92	48.77	5	127	8.85	4.01

## Stainless Steel Globe Valves for Cryogenic Service

### SK Advantage Series Repair Kits

Kit Number	Part Number	Kit Contents
SKM009404-80AJ	SKL9402, SKM9402, SKL9404 and SKM9404	(1) Gasket and (1) Seat Disc Assembly.
SK009404-85	SK9402 and SK9404	(1) Washer, (1) Nut, Lock, (1) Handwheel, (4) Screw, (1) Nut, Packing, (1) Retaining Ring, (1) Nut, Stem, (1) O-ring, (1) Gland, Packing, (3) Ring "V" Packing, Female, (1) Ring "V" Packing, Male, (1) Washer, (1) Spring, Cylindrical, (1) Bonnet & Tube Assy, (1) Stem, (1) Seat Disc Assy, (2) Gasket
SKM009408-80AJ	SKL9406, SKM9406, SKL9408 and SKM9408	(1) Gasket and (1) Seat Disc Assembly.
SK009408-85	SK9406 and SK9408	(1) Washer, (1) Nut, Lock, (1) Handwheel, (4) Screw, (1) Nut, Packing, (1) Retaining Ring, (1) Nut, Stem, (1) O-ring, (1) Gland, Packing, (3) Ring "V" Packing, Female, (1) Ring "V" Packing, Male, (1) Washer, (1) Spring, Cylindrical, (1) Bonnet & Tube Assy, (1) Stem, (1) Seat Disc Assy, (2) Gasket
SKM009412-80AJ	SKL9412 and SKM9412	(1) Gasket and (1) Seat Disc Assembly.
SK009412-85	SK9412	(1) Washer, (1) Nut, Lock, (1) Handwheel, (4) Screw, (1) Nut, Packing, (1) Retaining Ring, (1) Nut, Stem, (1) O-ring, (1) Gland, Packing, (3) Ring "V" Packing, Female, (1) Ring "V" Packing, Male, (1) Washer, (1) Spring, Cylindrical, (1) Bonnet & Tube Assy, (1) Stem, (1) Seat Disc Assy, (2) Gasket
SKM009416-80AJ	SKL9416 and SKM9416	(1) Gasket and (1) Seat Disc Assembly.
SK009416-85	SK9416	(1) Washer, (1) Nut, Lock, (1) Handwheel, (4) Screw, (1) Nut, Packing, (1) Retaining Ring, (1) Nut, Stem, (1) O-ring, (1) Gland, Packing, (3) Ring "V" Packing, Female, (1) Ring "V" Packing, Male, (1) Washer, (1) Spring, Cylindrical, (1) Bonnet & Tube Assy, (1) Stem, (1) Seat Disc Assy, (2) Gasket
SKM009408-80J	SKL9402, SKM9402, SKL9404, SKM9404, SKL9406, SKM9406, SKL9408 and SKM9408	(2) Spring, Belleville, (1) Washer, Live-loading, (5) Packing, Bonnet, (4) Packing, separator, (1) Bearing, Bonnet, (1) Follower, Gland, (1) Packing, Adapter.
SKM009412-80J	SKL9412 and SKM9412	
SKM009416-80J	SKL9416 and SKM9416	
SKM009404-KIT	SKM9402 and SKM9404	
SKM009408-KIT	SKM9406 and SKM9408	(1) Gasket, (1) Stem, (1) Bonnet & tube Assy, (2) Spring, Belleville, (1) Washer, Live-loading, (5) Packing, Bonnet, (4) Packing, Separator, (1) Bearing, Bonnet, (1) Follower, Gland, (1) Nut, Stem, (1) Ring, Retaining, (1) Packing, Adapter, (1) Nut, Bonnet, (4) Screw, (1) Handwheel, (1) Nut, Hex, and (1) Washer.
SKM009412-KIT	SKM9412	
SKM009416-KIT	SKM9416	
SKL009404-KIT	SKL9402 and SKL9404	
SKL009408-KIT	SKL9406 and SKL9408	(1) Gasket, (1) Stem, (1) Bonnet & tube Assy, (2) Spring, Belleville, (1) Washer, Live-loading, (5) Packing, Bonnet, (4) Packing, Separator, (1) Bearing, Bonnet, (1) Follower, Gland, (1) Nut, Stem, (1) Ring, Retaining, (1) Packing, Adapter, (1) Nut, Bonnet, (4) Screw, (1) Handwheel, (1) Nut HEX, and (1) Washer.
SKL009412-KIT	SKL9412	
SKL009416-KIT	SKL9416	
SK94004-81	BB9402, SKB9402, BB9404 and SKB9404	
SK94008-81	BB9406, SKB9406, BB9408 and SKB9408	
SK9412-81	BB9412 and SKB9412	
SK9416-81	BB9416 and SKB9416	
SK94004-82	BB9402, SKB9402, BB9404 and SKB9404	(1) Gasket and (1) Seat Disc Assembly.
SK94008-82	BB9406, SKB9406, BB9408 and SKB9408	
SK9412-82	BB9412 and SKB9412	
SK9416-82	BB9416 and SKB9416	
BB009404-85	BB9402, SKB9402, BB9404 and SKB9404	(1) Gasket, (1) Stem, (1) Bonnet & tube Assy, (1) Spring, (1) Washer, (1) Ring V Male, (3) Ring V female, (1) O-ring, (1) Nut, Bonnet, (4) Screw, (1) Handwheel, (1) Nut, Hex, and (1) Washer.
BB009408-85	BB9406, SKB9406, BB9408 and SKB9408	
BB009412-85	BB9412 and SKB9412	
BB009416-85	BB9416 and SKB9416	