

Bronze/Stainless Steel Body Globe Valve for Cryogenic Service SKB Series

Application

The SKB Series globe valves are designed for the handling of cryogenic liquids through trailer, bulk tanks and piping configurations. Our time tested spring loaded stem packing and superior seat design provide for long life and easy maintenance. Internal components are the same for BBS and BB Series. Also available in short stem version.

Features

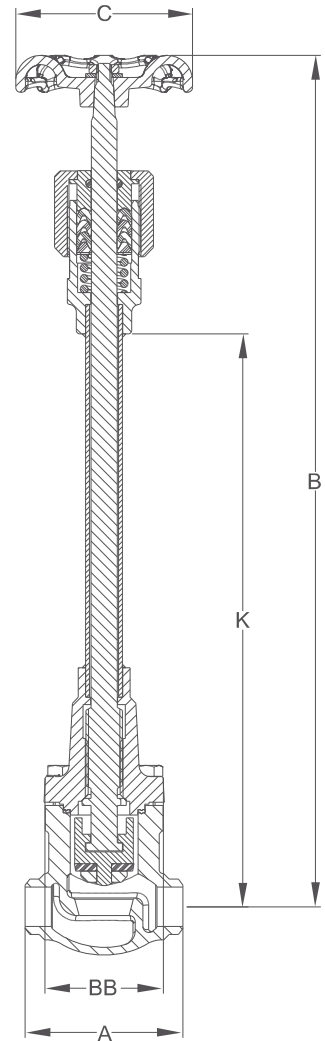
- **Superior Flow:** Provides high Cv for rapid and reliable trailer and tank loading and unloading.
- **Top Entry:** This valve can be permanently installed in the line and serviced from the top. Bolted bonnet style provides secure integrity.
- **Soft Seated:** Conical PCTFE seat provides a bubble tight seal. Less chance of debris trapped in the seat and longer service life.
- **Stem Packing:** V-Ring spring loaded packing provides extended service life without constant packing adjustment.
- **Sizes:** 1/4" through 2" - 20mm through 50mm
- **Ends:** Buttweld and Socket Weld
- **Service:** Liquefied and vaporized atmospheric gases, LNG for trailers, bulk tanks ISO containers and piping configurations.
- **Temperature Rating:** -325°F to +150°F (-198°C to +65°C)
- **Pressure Rating:** (Cold, Non-Shock) 720 psig (50 barg)
- Cleaned for oxygen service per CGA G-4.1

Materials

Body	Stainless Steel ASTM A351
Upper Bonnet	Brass ASTM B16
Lower Bonnet	Bronze ASTM B283
Seat Disk	PCTFE ASTM D1430
Seat Retainer.....	Brass ASTM B16
Stem	Stainless Steel ASTM A582
Spring	Stainless Steel ASTM A313
Packing.....	PTFE
Handwheel.....	Chromate Coated Ductile Iron ASTM A395
Bonnet Gasket.....	PTFE, 25% Glass Filled
Fasteners.....	Stainless Steel ASTM A320



SKB Series



Ordering Information

Part Number	Size Inches	Size mm	Connection	A	B	C	BB	K	Est. Cv
SKB009402BW	1/4"	DN 6	Butt Weld	2.68	14.4	3	2	9.7	1.7
SKB009402SW			Socket Weld						5.0
SKB009404BW	1/2"	DN 15	Butt Weld	3.62		4	2.66	9.5	9.4
SKB009404SW			Socket Weld						14
SKB009406BW	3/4"	DN 20	Butt Weld	4.75	14.6	4.75	3.44	9.3	28.3
SKB009406SW			Socket Weld						
SKB009408BW	1"	DN 25	Butt Weld	5.75	16.21	5.25	4.06	9.9	53
SKB009408SW			Socket Weld						
SKB009412BW	1 1/2"	DN 40	Butt Weld	4.75	14.6	4.75	3.44	9.3	28.3
SKB009412SW			Socket Weld						
SKB009416BW	2"	DN 50	Butt Weld	5.75	16.21	5.25	4.06	9.9	53
SKB009416SW			Socket Weld						

RegO - Goddard Bronze/Stainless Steel Body Globe Valve for Cryogenic Service. Short Stem SKB Series



Application

The SKB Series globe valves short stem are designed for handling of cryogenic liquids through bulk tanks, trucks, trailers, ISO-containers and piping configurations. Our time tested spring loaded stem packing and superior seat design provide for long life and easy maintenance. Internal components are the identical with the BB Series and SKB Series.

Features

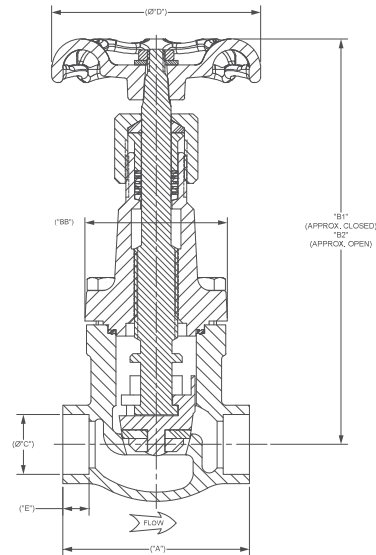
- Superior Flow: Provides high Cv for rapid and reliable loading and unloading.
- Designed with the unique Kold-Seal™.
- Conical PCTFE Seat: provides exceptional flow; bubble tight seal; less chance of debris trapped in the seat and longer service life.
- Connections: NPT & SBT.
- Sizes: ¼" to 2".
- Bonnet Type: Bolted.
- Pressure Rating: 720 psig (50 barg)
- Temperature Rating: -325°F (-198°C) to +150°F (+65°C).
- Service: Liquefied & Vaporized Atmospheric Gases and LNG for Trailers, Bulk Tanks, Iso-Containers and Piping Configurations.
- Cleaned for Oxygen Service per CGA G-4.1

Materials

Body Stainless Steel ASTM A351
 Upper Bonnet Brass ASTM B16
 Lower Bonnet Brass ASTM B283
 Stem Stainless Steel ASTM A582
 Spring Stainless Steel ASTM A313
 Packing PTFE
 Gasket PTFE 25% Glass Fill
 Seat Disc PCTFE ASTM D1430
 Seat Retainer Brass ASTM B16
 Bonnet Screws Stainless Steel ASTM A320
 Handwheel Chromated Coated Ductile Iron ASTM A395



SKB9406BWS



Ordering Information

Part Number	Size Inches	Size mm	Connection	A	B1	B2	C	D	E	BB	Cv	Weight lbs.
SKB9402BWS	¼"	8	Butt Weld	2.68	5.79	6.24	0.56	3.00	0.375	2.05	1.7	5.72
SKB9404BWS	½"	15		2.68	5.79	6.24	0.86	3.00	0.375	2.05	5	
SKB9406BWS	¾"	20		3.62	6.15	6.68	1.07	4.00	0.500	2.65	9.4	
SKB9408BWS	1"	25		3.62	6.15	6.68	1.335	4.00	0.500	2.65	14	
SKB9412BWS	1½"	40		4.75	7.2	7.93	1.92	4.75	0.500	3.54	28.3	7.97
SKB9416BWS	2"	50		5.75	8.85	9.84	2.411	5.25	0.625	4.04	53	13.15
SKB9402SWS	¼"	8	Socket Weld	2.68	5.79	6.24	0.56	3.00	0.375	2.05	1.7	5.72
SKB9404SWS	½"	15		2.68	5.79	6.24	0.86	3.00	0.375	2.05	5	
SKB9406SWS	¾"	20		3.62	6.15	6.68	1.07	4.00	0.500	2.65	9.4	
SKB9408SWS	1"	25		3.62	6.15	6.68	1.335	4.00	0.500	2.65	14	
SKB9412SWS	1½"	40		4.75	7.2	7.93	1.92	4.75	0.500	3.54	28.3	7.97
SKB9416SWS	2"	50		5.75	8.85	9.84	2.411	5.25	0.625	4.04	53	13.15