



Line Station Valves 7160 Series

Application

7160 series valves are designed for use with oxygen and all fuel gases at station outlets of line distribution systems such as welder's benches, cutting stations, hospital rooms, etc.

Features

- UL Listed Approved for oxygen and all fuel gas services at 400 psig maximum working pressure.
- All valves cleaned for use in oxygen per CGA G-4.1
- O-ring stem seal works with the pressure causing a tighter seal as pressure increases.
- A reverse flow check valve installed in the valve outlet connection helps prevent reverse flow.
- Available with brass cap and chain protection.
- Meets the requirements of National Fire Protection Association (NFPA) Pamphlet No. 51.

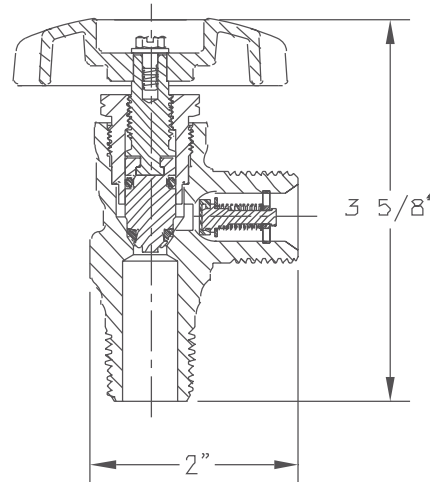
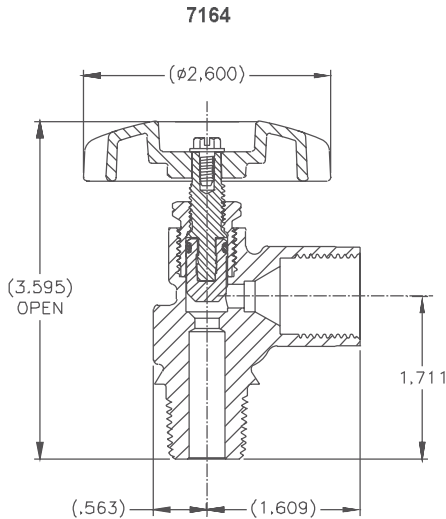
Materials

Body Brass
 Stem and Seat Retainer Brass
 O-ring Neoprene
 Seat Disc Nylon
 Reverse Flow Check Seat Neoprene



7160 Series

7160 and 7161 Series



Ordering Information

Part Number	Gas Service	Inlet Thread	Outlet Thread	CGA Connection	C _v Factor	Outlet Protection*
7160V	Oxygen and Inert Gases	½" NGT	7/8" - 14 M. R.H.	024	.76	10663 Brass Cap & Chain
7160VL						None
7161V	Fuel Gases	½" NGT	7/8" - 14 M. L.H.	025		10664 Brass Cap & Chain
7161VL						None
7164	Inert Gases	½" NPT	7/8" - 14 F. R.H.	034	None	

*Outlet Protection is recommended.